

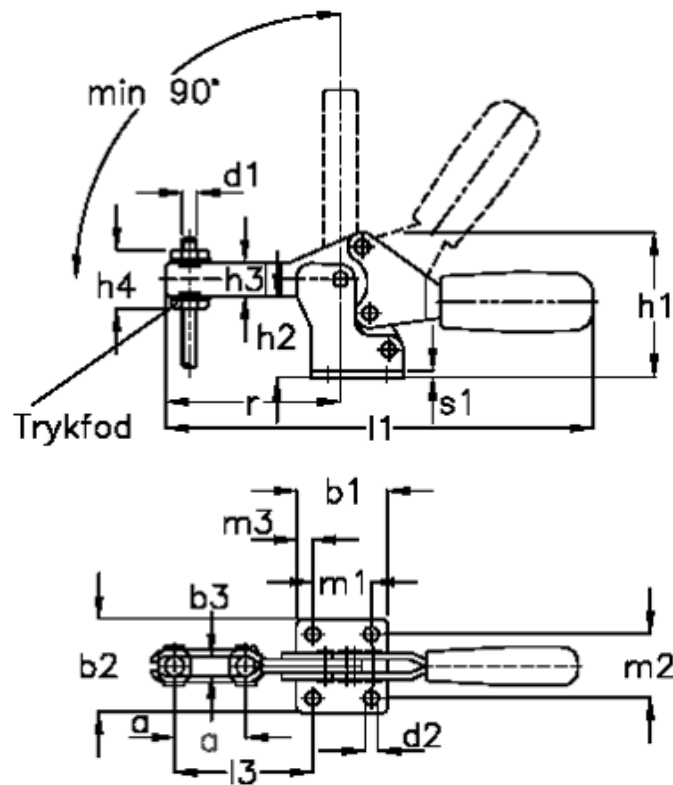
Data Sheet



Article number: 2013510251

Description: E+G Klee horizontal clamp
GN 820-25-M-NI, stainless steel

Measures



a approx. = 10	h3 = 7	m3 = 4.50
b1 = 24	h4 = 15	r = 24.5
b2 = 24.5	Holding force N = 400	s1 = 1.2
b3 = 4.5	l1 = 68	Size = 25
d1 = M 4	l2 = 43	
d2 = 4.3	l3 = 20.0	
h1 = 23	m1 = 15.0	
h2 = 12.0	m2 = 16.0	